



POWERFUL PERFORMANCE FOR A CLEANER PLANET

- ◆ MANUFACTURED IN MONTREAL, CANADA
- ◆ 25 YEAR LINEAR POWER WARRANTY
- ◆ 12 YEAR WORKMANSHIP WARRANTY
- ◆ OUTSTANDING LOW LIGHT PERFORMANCE
- ◆ MC4 CONNECTORS
- ◆ POSITIVE TOLERANCE 0/+3%

GMASOLAR introduces the new generation of solar modules. Providing - more power by utilizing high efficiency solar cells. Ideal for off grid systems thanks to their robust design proving reliability and high quality performance in isolated areas.

GMASOLAR Reliability. All our solar modules are manufactured according to UL and IEC standards. Each solar module is passed through several strict quality control tests before and after the lamination process. One of the many tests which include the Solar Cell and Module EL (Electroluminescence) Tester. The EL tester provides valuable information and overall the quality of the production process. With EL imaging, it detects every hidden defect and thus ensures an effective, accurate and high performance solar module.

GMASOLAR Flexibility. Our solar modules are designed to offer worry free use in the harshest weather climates. Our frame allows installation in multiple configurations, making an easy, safe and faster installation. The water drain holes prevent frame breakage due to freezing temperatures.



ELECTRICAL PARAMETERS @ STC

Module Type	GMA 100-36	
Peak Power	P _{max} (W)	100
Maximun Power Voltage	V _{mp} (V)	18.0
Maximun Power Current	I _{mp} (A)	5.56
Open-circuit voltage	V _{oc} (V)	21.9
Short-circuit current	I _{sc} (A)	6.13
Module Efficiency	η(%)	14.75

Values at standard test conditions STC (Air mass AM1.5, Irradiance 1000W/sqm, Cell temperature 25°C)
Power Measurement Tolerance: 0 / +3%

MECHANICAL DATA

Solar Cell (type / dimension)	Mono-crystalline solar cells / 156 x 104 mm
Cell (quantity / orientation)	36 cells / 4 x 9
Module Dimension (L x W x H)	1005 X 674 X 35 mm
Weight	8.9 kg
Frame (material / colour)	Anodized aluminum / Silver
Front Glass (material / thickness)	High transmission low-iron tempered glass / 3.2mm
Backsheet (material)	Fluoropolymer coating / PET / polyolefin
Mechanical Load	50 psf, 245Kg/sqm, 2400 Pa, 0.34 psi, front and back
Junction Box (protection degree)	≥IP 65
Junction Box (diode)	Two (2) bypass diodes
Output Cables (Length/cross-sectional area)	900 mm length, 10 AWG PV cable, UV protected
Connector (type / protection degree)	MC4 / IP68 rated

TEMPERATURE COEFFICIENTS

Nominal Operating Cell Temp. (NOCT)	45 +/- 2 °C
Voltage Temperature Coefficient (VOC)	-0.31% / °C
Current Temperature Coefficient (Isc)	0.033% / °C
Power Temperature Coefficient (Pmax)	-0.42% / °C

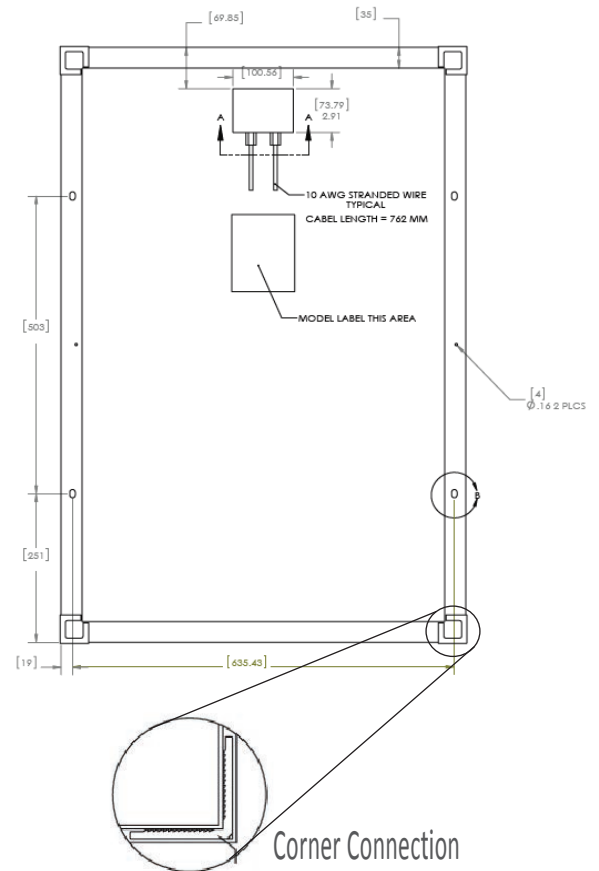
MAXIMUM RATINGS

Operational Temperature	-40°C to +85°C
Maximun System Voltage	1000V DC (IEC) - 600V DC (UL)
Max Series Fuse Rating	10A

WARRANTY & CERTIFICATIONS

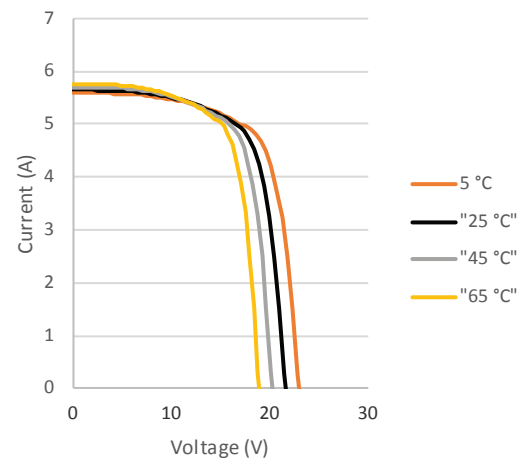
Certification	Tested to UL 1703 / IEC 61215 / IEC 61730 CE .
Fire Rating	Class C
Warranty	12 years workmanship, 12 years 90%, 25 years 80% Power Warranty

MECHANICAL DRAW (Back View)



I-V CURVE OF PV MODULE GMA 100W 36c-M

GMA 100W 36c-M / IV CURVES



Note: The specifications are subject to change without notice.